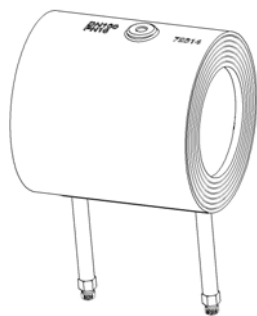




Bell & Gossett®



Circuit Sentry™ Model WV - Wafer Valves



DESCRIPTION

The Bell & Gossett Model WV is a combination automatic flow limiting and commissioning valve for use in HVAC systems. Wafer valves are furnished with flow cartridges, two 4" pressure / temperature ports and a ID tag for commissioning. A lifting lug is provided on valve sizes 4" through 20". The wafer valve body is compatible with Ansi Class 125 or 150 lb. flanges. Companion flanges, mounting hardware and gaskets are not included.

CONSTRUCTION

Body: Ductile Iron DIN 1693-GGG-40
 Cartridge: Brass C36000
 O-Rings: EPDM
 Diaphragm: Reinforced EPDM
 Spring: Stainless Steel

MAXIMUM WORKING PRESSURE

250 psig (1,724 kPa)

TEMPERATURE RANGE

-4°F (-20°C) to 230°F (111°C)

CONTROL RANGE

2 psi (14 kPa) to 60 psi (414kPa)

ACCURACY

+/- 5%

MINIMUM FLOW**

15 GPM (0.95 lps)

MAXIMUM FLOW**

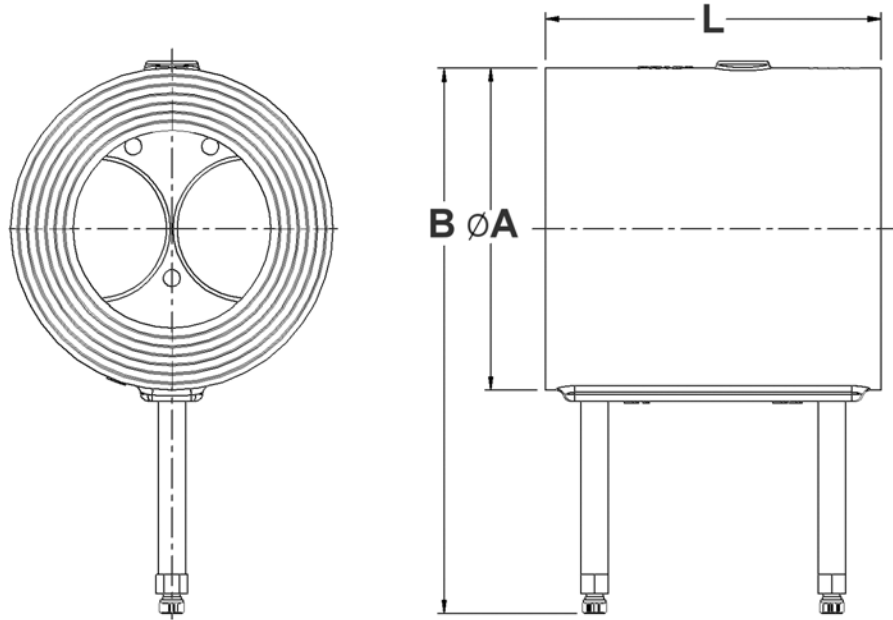
7,200 GPM (454.2 lps)

FLOW INCREMENTS

5 GPM (0.32 lps)

**B&G recommends following ASHRAE's design criteria for hydronic system piping, flow rates, and friction losses.





SIZE Inch(mm)	DIMENSIONS* INCH (mm)			Maximum Flow** GPM (lps)	Maximum Cartridges per Valve Lb. (kg)	Approx. Shpg. Wt. w/Max. Cartridges Lbs. (kg)
	A	B	L			
2½" (65)	4.7 (119)	9.3 (237)	6.7 (170)	180 (11.4)	1	12 (5.4)
3" (80)	5.2 (131)	9.8 (249)	6.7 (170)	180 (11.4)	1	14 (6.4)
4" (100)	6.4 (163)	11.1 (281)	6.7 (170)	360 (22.7)	2	22 (10)
5" (125)	7.6 (193)	12.2 (311)	6.7 (170)	540 (34.1)	3	28 (12.7)
6" (150)	8.5 (216)	13.1 (334)	6.7 (170)	720 (45.4)	4	31 (14.1)
8" (200)	10.7 (271)	15.3 (389)	6.7 (170)	1,260 (79.5)	7	51 (23.1)
10" (250)	12.8 (326)	17.3 (440)	6.7 (170)	2,160 (136.3)	12	69 (31.3)
12" (300)	15.1 (383)	19.7 (501)	6.7 (170)	2,700 (170.3)	15	95 (43.1)
14" (350)	17.4 (443)	22.1 (561)	6.7 (170)	3,420 (215.8)	19	123 (55.8)
16" (400)	19.5 (496)	24.6 (624)	6.7 (170)	4,680 (295.3)	26	166 (75.3)
18" (450)	21.5 (545)	26.5 (673)	6.7 (170)	5,940 (374.8)	33	193 (87.5)
20" (500)	23.9 (607)	28.7 (729)	6.7 (170)	7,200 (454.2)	40	228 (103.4)

* All dimensions +/- 0.125 (3.2 mm) tolerance. Dimensions are subject to change. Not to be used for construction purposes unless certified.

** B&G recommends following ASHRAE's design criteria for hydronic system piping, flow rates, and friction losses.



For more information on the Bell & Gossett Circuit Sentry™ Automatic Flow Limiting Valves, contact your B&G representative.

Wallace Eannace Associates, Inc.
 NY - Tel 516-454-9306 - Fax 516-454-9307
 NJ - Tel 201-812-7660 - Fax 201-891-4298
 Web site: wea-inc.com (click here)

Bell & Gossett®



ITT Industries
 Engineered for life